

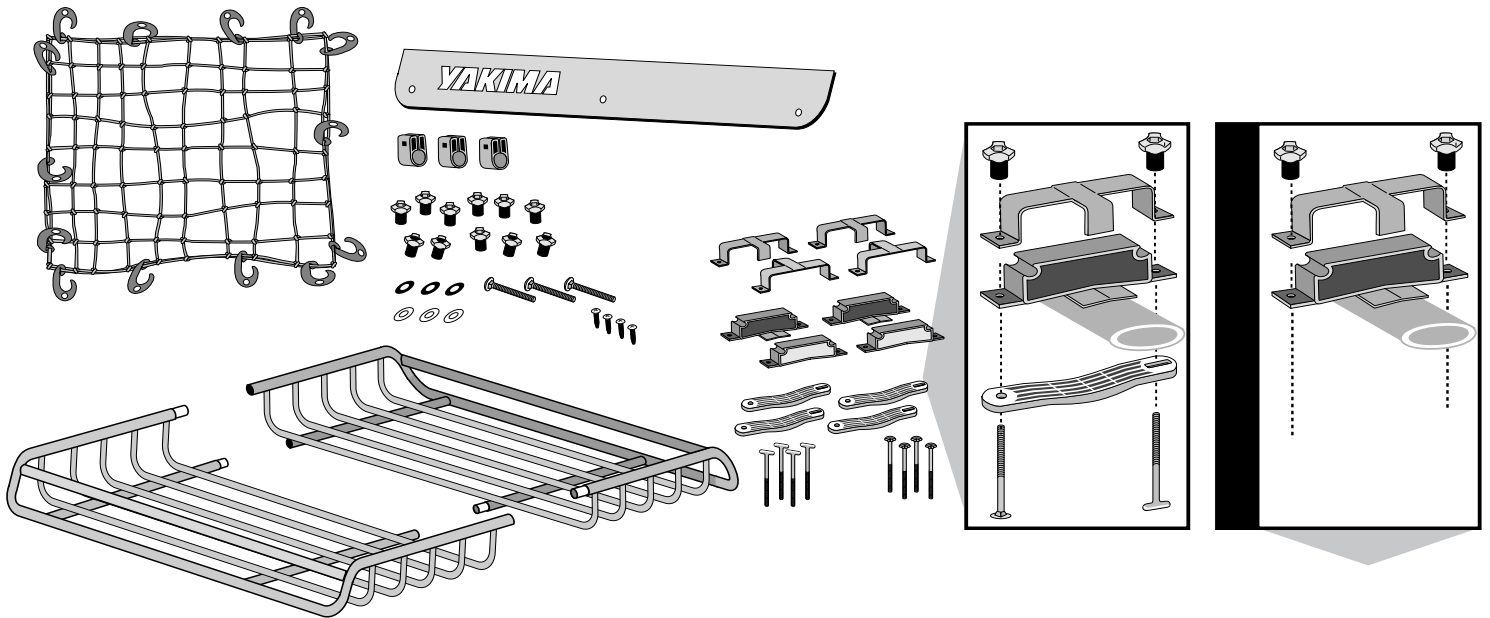


GENUINE ACCESSORIES INSTALLATION INSTRUCTIONS

PART NUMBER:
0000-8L-G03A

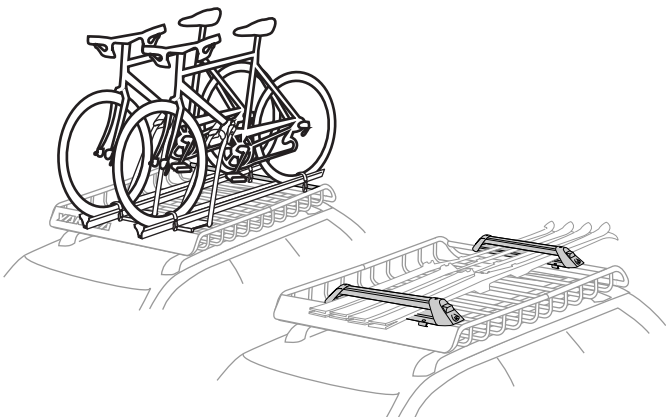
LUGGAGE CARRIER ATTACHEMENT
& STRETCH NET

APPLICABLE MODELS:

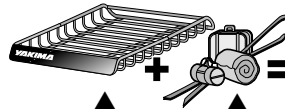


0 IMPORTANT

1. Carry gear in the basket, and attach accessories directly to the LoadWarrior basket (using applicable accessory instructions.)
2. You may carry bikes or skis, provided you do not exceed the recommended weight limit for your vehicle.



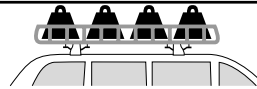
LOAD LIMITS:



25 lbs.
(11 kg)

basket
contents

REFER TO THE
VEHICLE'S OWNER'S
MANUAL FOR YOUR
MAX. LOAD LIMIT!



DISTRIBUTE YOUR LOAD EVENLY INSIDE THE BASKET.

DO NOT EXCEED BASKET CONTENT WEIGHT LIMIT:



REFER TO THE VEHICLE'S OWNER'S MANUAL
FOR YOUR MAX. LOAD LIMIT!

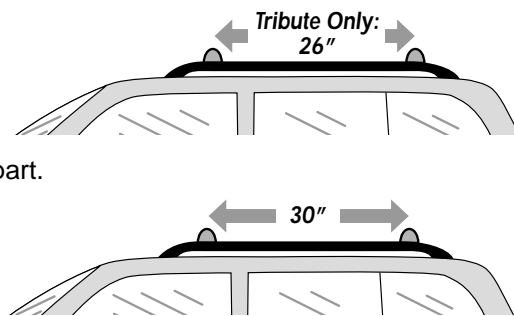
Always tie down long loads at front and rear.

1 Adjust Your Crossbars

- If you have a TRIBUTE, move crossbars to 26" apart.
- For other vehicles with bars that can be moved, move the bars to 30" apart.

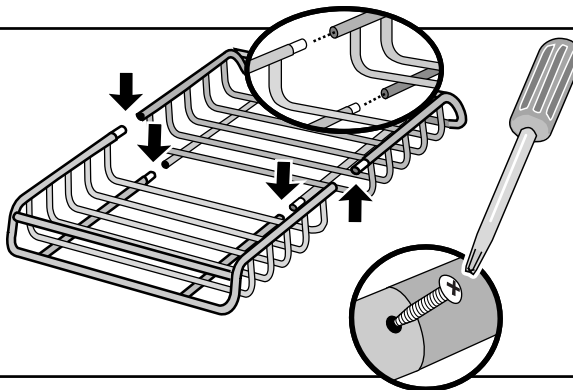


TIGHTEN YOUR CROSSBARS IF YOU LOOSENED THEM.



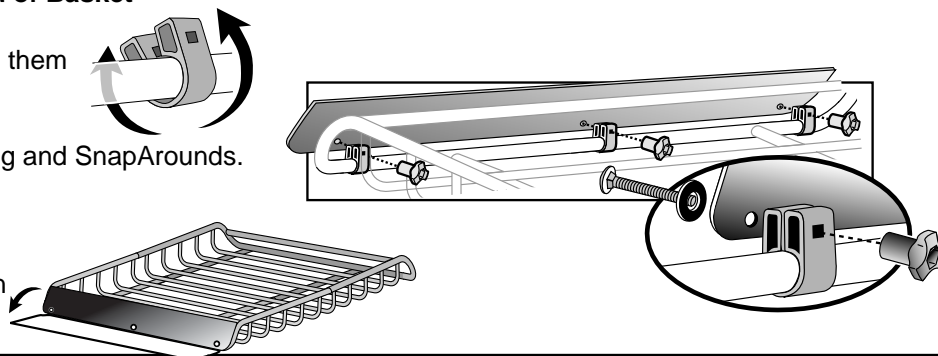
2 Assemble the Basket

- Remove the machine screws and washers from the ends of the LoadWarrior tubes.
- Attach the two basket halves by pushing the tube ends together.
- Insert screws and washers into tube joints and tighten.



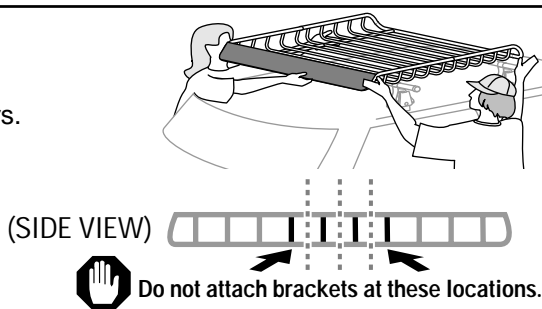
3 Attach Fairing to Either End of Basket

- Pry open the SnapArounds, attach them to the LOWER FRONT BAR
- Insert bolts through washers, fairing and SnapArounds.
- Attach knobs and TIGHTEN
- NOTE: Fairing can fold down when carrying long slender loads.



4 Load Basket onto Racks

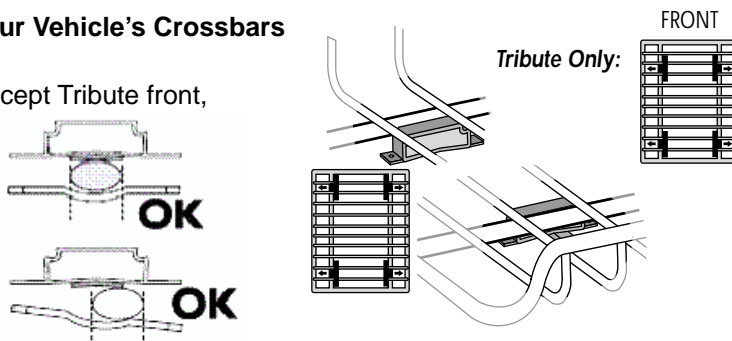
- Center basket over your rack's crossbars.
- Do not attach to less stable center locations (see diagram)



A friend would make this easier.

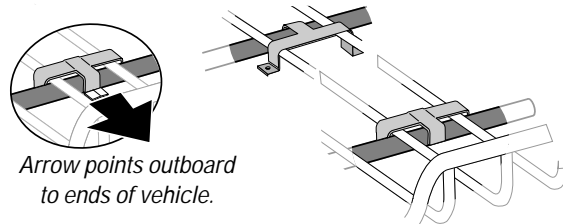
5 Position the Support Brackets ABOVE Your Vehicle's Crossbars

- Place the brackets second slat from each end (except Tribute front, see illustration) and INSIDE of the basket frame
- Tabs on brackets must face OUTBOARD
- In some situations the crossbar may sit off center of the bail.



6 Position the Cover Brackets

- Position the cover brackets onto installed support brackets.
- Hooked tab should cover the larger support bar.



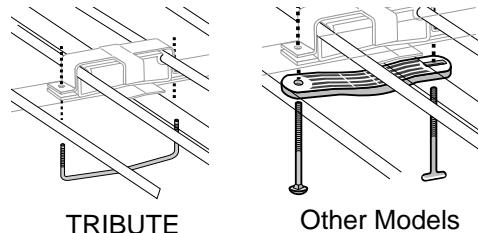
7 Attach Baseplate

TRIBUTE Models:

- Insert wire bail through holes in baseplate.

Other Models:

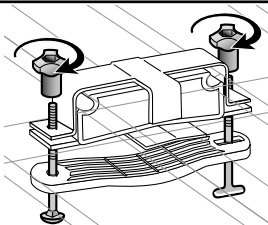
- Insert bolt into round hole, and T-bolt into slotted hole.



8 Attach the Knobs

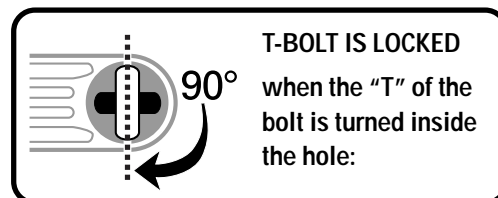
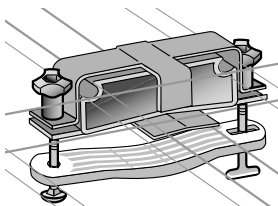
- Engage the threads of the bolts

TRIBUTE MODELS SKIP TO STEP 10



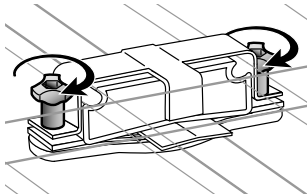
9 Secure the Basket to the bars

- Lock the T-bolts



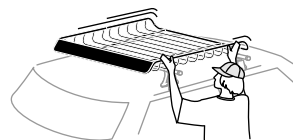
10 Tighten Knobs

- Tighten knobs evenly on both sides.



11 Check Installation

- Make sure installation is secure by tugging at basket.
- The basket should not slide on the bars. Tighten knobs if necessary.



To remove the basket, do not disassemble the hardware (except Tribute).

- Loosen the knobs until barely attached.
- Unlock the T-bolts and let curved brackets swing freely.
- Remove basket.

TRIBUTE MODELS: completely disassemble hardware to remove basket

